

we like X...



Luxura
by Hapro

I like!





we like X₁₀ ...





we like luxury

Luxura X₁₀ clearly is the most sophisticated product within the Luxura 'X-range' of sunbeds. Its combination of cool design and powerful efficiency offers an extraordinary tanning experience. Luxura X₁₀ gives an irresistible appeal.

X₁₀ not only looks great with its beautiful design. The spacious tunnel also offers that extra bit of comfort. While tanning with the closed canopy, the sunbather has lots of space to feel comfortable and free.





contour
PLUS

- ContourPlus, the ergonomically shaped reclining acrylic surface, makes lying down as comfortable as can be.

XL
LIGHT

- The clear operating display offers the tanner control of the tanning session. It is positioned centrally in the canopy for easy access.
- When it comes to body cooling, Luxura X₁₀ offers even more. Various openings throughout the length of the canopy provide a comfortable body cooling for the perfect climate.

AirCo



- AirCo, the Luxura air conditioning system. Ensures a pleasant temperature, adjustable at different levels.
- Smart cooling - a unique cooling system that reacts intelligently and efficiently to the temperature of the sunbed. It starts the session very quietly and the ideal feel-good temperature is soon reached in the sunbed. Tubes reach optimal operation temperature faster - for the best tanning results and tube efficiency.



we like it colourful



The X₁₀ features Ambient FlowLight with 15 flow programmes for beautiful colour effects or 30 constant colours to change just as you like. It gives the sophisticated design an irresistible appeal. A real eye-catcher.

X
10

**we like the perfect
admoresphere**



we like choices

With X₁₀ you can make your choice, many choices in fact. Face tanners and filters turn X₁₀ into your individual sunbed.

SLi

- High pressure face tanner with halogen lamps placed behind a filter
- High pressure lamp is positioned horizontally with smart parabolic reflector
- 520 W in X₁₀ only

SLi + (optional)

- High pressure face tanner with halogen lamps placed behind a filter
- High pressure lamp is vertically positioned in a premium quality reflector housing with a stunning visual diamond reflection for optimum output
- Switchable wattage on SLi and SLi+ for variable strength





The Luxura SLi technology offers several choices: learn about the special qualities and select the optimum filter that suits the studio strategy and will meet the expectations of the clients.

SPS: Standard Power System

- This powerful face tanner gives extra attention to the face. The dark blue filter glass allows effective UVA output for direct pigmentation

BPS: Balanced Power System

- The combination of the lamps and the mirror filter glass is especially developed to get a perfect balance of UVA and UVB up to the optimum allowed by the EU norm of the 0,3 W/m² and UV-type III. For skin stimulation and a nice warm effect, the BPS also puts some infrared through.

HPS: High Power System

- Intense tanning performance is guaranteed by the HPS filter. This created the most effective combination of UVA - UVB and infrared. The strong combination creates a perfect deep tan with immediate results.

we like it refreshing and entertaining

With Qsens, a cool mist is sprayed all over the user's body during the tanning session. Tanners choose to enjoy the fixed intervals or manually activate the cool mist for refreshment. X₁₀ has two nozzles, perfectly placed to cool off the sunbather's body and enhance his overall feeling of well-being. That's more than refreshing.

With Xsens I you can select one out of three fragrances (Ocean, Blossom or Sandelwood). The Xsens III offers all three fragrances and leaves the choice to the tanner, who can select and switch while tanning.



SoundAround Plus with four external channels that can be set according to the owner's preferences. It comes with MP3, SmartVoice, four loudspeakers and subwoofer for an amazing sound. This feature also includes SD cards providing two extra internal music channels (relax music, energetic music or program your own music).

With SmartVoice, the sunbather is guided through the various functions by a pleasant female voice - SmartVoice is available in many different languages.

Thanks to the Luxura Bluetooth system sun worshippers can wirelessly stream their own music during the tanning session. A connection can easily be established from a smartphone or tablet to the sunbed's Bluetooth receiver. A unique aspect of this system is that it lets you, the operator, set each booth or sunbed's number and the access code so the user can quickly and easily connect to the right one. Also handy: while streaming the tanning patron can receive incoming calls as usual. When a call is received the music is muted and the conversation takes place privately, via the mobile phone. At the end of the session the Bluetooth connection is automatically ended.



CHIP Tuning

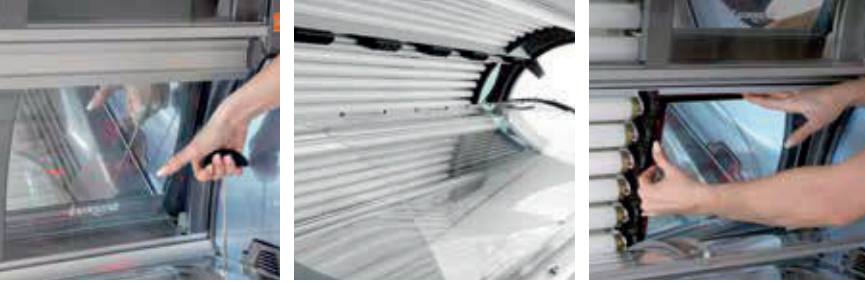
Intelligent controls result in greater energy efficiency



The unique IP control is the Intelligent Power System, a highly sophisticated technique which dynamically controls the electronic ballasts for greater energy efficiency.

This intelligent supplementary module controls the power supply for the tubes and keeps the degree of impact during the lifespan of the lamps consistently optimal at the EU recommended level of 0,3 Watt/per m², and for UV-type III. If national regulations authorize, the tubes can be programmed on a higher level of output as well.

The IP Control can reduce the energy output of the tubes by 25%, and moreover increase their lifespan up to 1,500 hours. Result: lower operational costs.



we like it

easy!



Quick release hinge system bench

Just lift up the bench and the staff or technician will gain easy access to all parts that need to be reached for maintenance. This way you can replace Xsens cart-ridges, clean and refill the Qsens resevoir and empty the airco reservoir in no time.

The acrylics in the bench and canopy can be opened easily by the quick release system. It makes cleaning and maintenance of acrylic sheets and tubes very easy. It can be done by the staff in a safe and fast way.

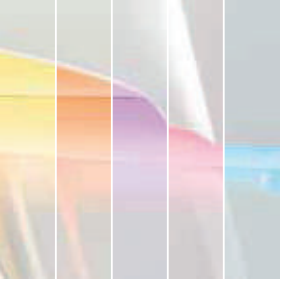




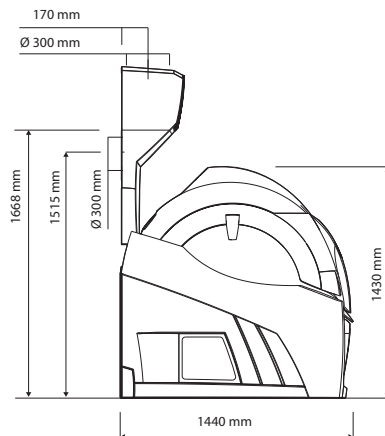
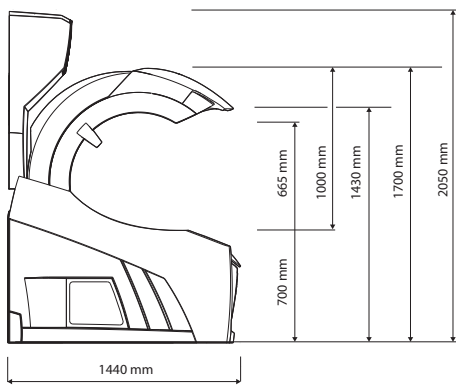
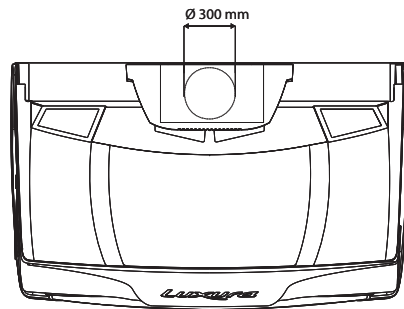
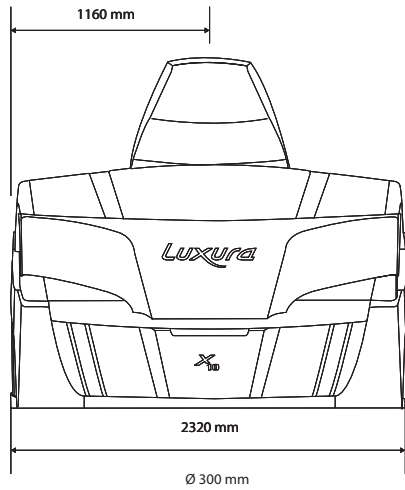
X₁₀ with air exhaust tower including warm air return system (WRS)

- Three versions of air extraction are available. In the standard version, air is extracted from a central point at the back of the sunbed, where it is conveyed to the back or upwards. Version 2 is embellished by means of an attractive Air Tower. Version 3 offers the Air Tower with WRS which stands for warm air return system controlled by thermostat. Its status can be monitored at all times by means of the indicator mounted on the Air Tower.

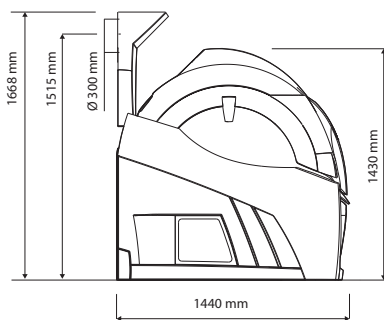




Admoresphere



Air exhaust tower system
(optional available with WRS)

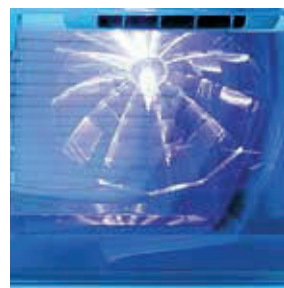


Compact air exhaust tower system

SLi



SLi+



SPS



BPS/HPS



