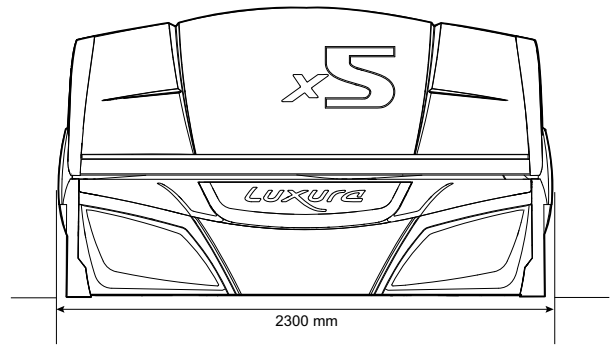


we like
X5 ...





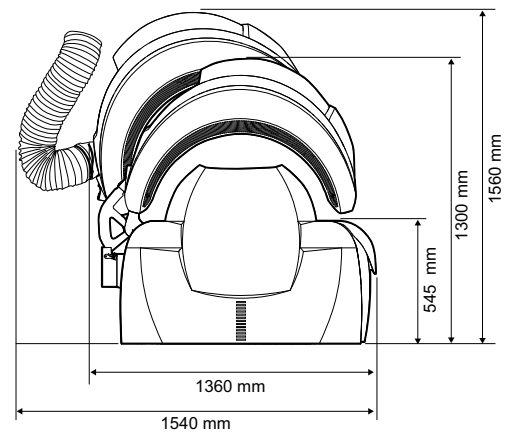
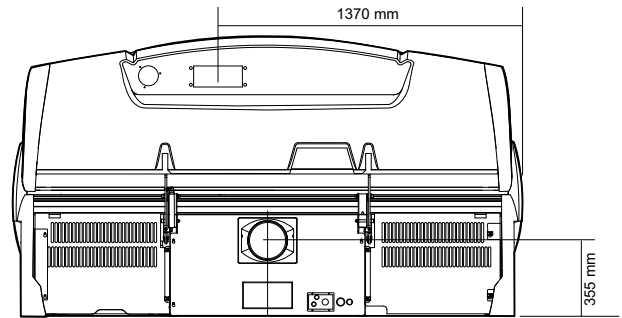
Crystal White



we like good service

Luxura X₅ stands for easy service and maintenance that can be carried out by any employee.

- Easy replacement of tubes or high pressure lamps
- Easy cleaning
- Easy refilling of Xsens cartridges and Qsens reservoir
- Easy emptying of airco reservoir
- Easy cleaning or changing of dust filters



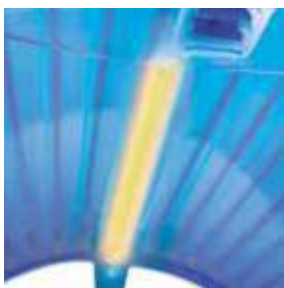
BPS/HPS



Connect line:
An optional Ambient FlowLight element that connects the bench and canopy



Front Panel standard



Centre line:
An optional Ambient FlowLight element that runs in the centre of canopy



Front Panel with Brandshield and Ambient FlowLight (standard for X₅ 38 SLi)



Luxura X ₅	34 SLi	34 SLi Intensive	34 SLi High Intensive	34 SP _r	34 SLi BALANCE
Tubes top	18 x 100 W	18 x 160 W	18 x 160 W	18 x 120 W	18 x 180 W Premium Balanced E-Power
Tubes base	16 x 120 W XL	16 x 120 W XL	16 x 180 W XL	16 x 120 W XL	16 x 200 W XL Premium Balanced E-Power
Face tanner	3 x 400 W	3 x 400 W	3 x 400 W	14 x 25 W	3 x 400 W
Central air exhaust capacity (top)	2000 m ³	2000 m ³	2000 m ³	2000 m ³	2000 m ³
Connection	400V/3N~/50Hz	400V/3N~/50Hz	400V/3N~/50Hz	400V/3N~/50Hz	400V/3N~/50Hz
Power (with AirCo)	6 kW (7,3 kW)	7,1 kW (8,3 kW)	8,1 kW (9,4 kW)	4,8 kW (5,9 kW)	9 kW (10,2 kW)
Fuses (with AirCo)	3 x 11 A (3 x 16 A)	3 x 13 A (3 x 17 A)	3 x 15 A (3 x 19 A)	3 x 10 A (3 x 13 A)	3 x 16 A
Weight	365 kg (AirCo + 40 kg)	380 kg (AirCo + 40 kg)	395 kg (AirCo + 40 kg)	365 kg (AirCo + 40 kg)	380 kg (AirCo + 50 kg)

Technical modifications reserved.

features



standard

- BPS (not for 34 SP_r)
- Adjustable face tanners (0-1-2-3)
- XL light in bench
- Full colour display
- Smart touch control
- 8 steps adjustable body cooler
- 8 steps adjustable face cooler
- Dust filters
- Smart cooling
- EasyLift acrylic system bench
- Front Panel Easy Move
- Quickstart
- Programmable internal timer
- Connection for external timer
- SoundAround Plus²
- Loudspeakers
- 1 hour counter non-resetable
- 2 hour counters resetable

optional

- Ambient FlowLight for Centre line
- Ambient FlowLight for Connect line ¹
- Luxury Front Panel with Brandshield and Ambient FlowLight ¹
- HPS (not for 34 SP_r)
- ContourPlus (standard feature for 34 SLi High Intensive)
- Xsens I
- Xsens III
- Qsens
- AirCo³
- Pre-wiring⁴
- Air extraction adapter (2 x 180mm Ú 300mm)
- Air extraction cover

¹Only in combination with Ambient FlowLight Centre line. ²Including My MP3, SmartVoice, Bluetooth, 4 external music channels, 4 loudspeakers, subwoofer and SD cards for 2 internal music channels (relax music, energetic music or program your own music). ³Only in combination with ContourPlus. ⁴Gives opportunity to install Xsens and SoundAround afterwards.