

we like V 6 ...





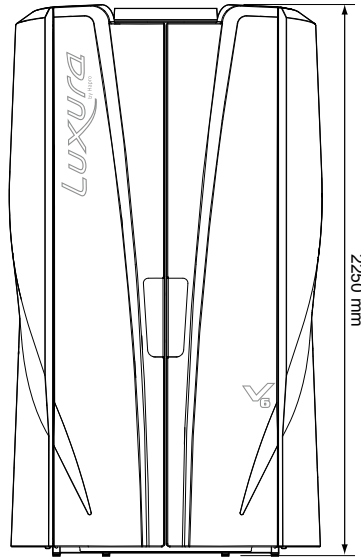
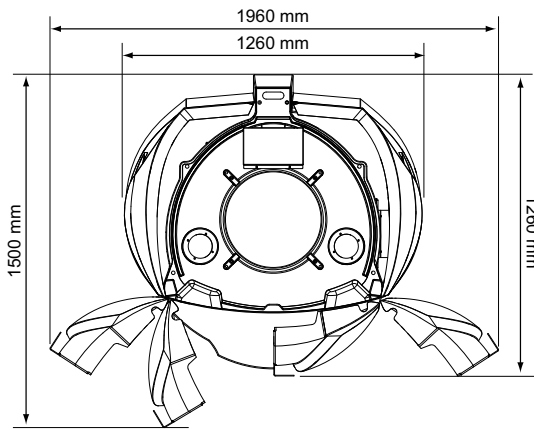
Crystal White

Crystal White Aqua

Crystal White Gold

Crystal White Pink

Crystal White Gold  
Glamour



Luxura V <sub>6</sub>	42 XL	44 XL Balance*
<b>Tubes</b>	42 x 180 W XL	42 x 200 W XL Premium Balanced E-Power
<b>Connection</b>	400V/3N~/PE/50Hz	400V/3N~/PE/50Hz
<b>Power</b>	8,5 kW	8 kW
<b>Fuses</b>	3 x 16 A	3 x 16 A
<b>Weight</b>	241 kg	165 kg

Luxura V <sub>6</sub>	44 XL Balance	48 XL Balance
<b>Tubes</b>	44 x 180 W XL Premium Balanced E-Power	48 x 180 W XL Premium Balanced E-Power
<b>Connection</b>	400V/3N~/PE50H/z	400V/3N~/PE50H/z
<b>Power</b>	8 kW	8,5 kW
<b>Fuses</b>	3 x 16 A	3 x 16 A
<b>Weight</b>	165 kg	167 kg

Luxura V <sub>6</sub>	48 XL Balance*
<b>Tubes</b>	48 x 200 W XL Premium Balanced E-Power
<b>Connection</b>	400V/3N~/PE50H/z
<b>Power</b>	8,5 kW
<b>Fuses</b>	3 x 16 A
<b>Weight</b>	167 kg

Not for EU.

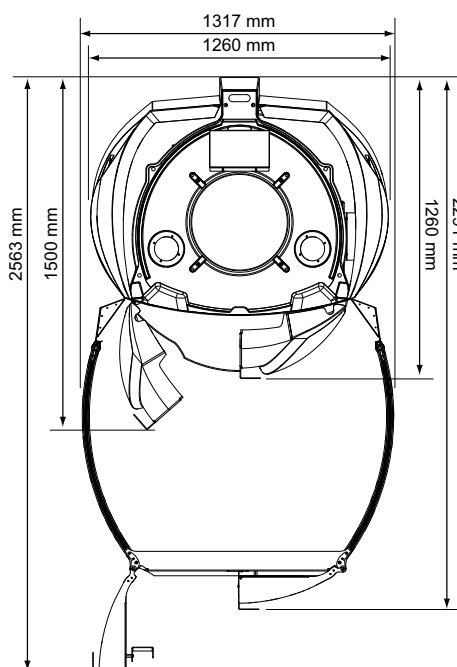
Technical modifications reserved



Crystal White Pink  
Glamour

## we like clever solutions

A changing room can be added and connected to Luxura V<sub>6</sub> to create a stand alone tanning unit.



# features

### standard

- XL Light
- Digital timer
- Control panel incl. smart touch
- 3 steps adjustable body cooler
- Standby inside lighting
- Internal timer
- Connection for external timer
- 1 hour counter non-resetable
- 1 hour counter resettable

### optional

- Ambient FlowLight panel incl. smart touch control <sup>1</sup>
- Xsens<sup>2/3</sup>
- Qsens<sup>3</sup>
- Loudspeakers
- My MP3<sup>3/4</sup>
- SoundAround Plus<sup>3/5</sup>
- Changing room
- Twin colour (Gold, Pink or Aqua)
- Glamour Edition

<sup>1</sup> Always in combination with at least 1 of the following options: My MP3, SoundAround Plus, Qsens + Xsens.

<sup>2</sup> Only in combination with Qsens.

<sup>3</sup> Only in combination with Ambient FlowLight panel incl. smart touch control.

<sup>4</sup> Including MP3/smartphone connection, 1 external music channel and 2 loudspeakers.

<sup>5</sup> Including MP3/smartphone connection, Bluetooth, Smartvoice, 4 external music channels, 2 loudspeakers, subwoofer and SD cards for 2 internal music channels (relax music, energetic music or program your own music).



## easy maintenance

Maintenance was never this easy, thanks to the clever solutions in the Luxura V<sub>6</sub>

- \* The acrylics are simple to remove thanks to the unique aluminium click system for easy maintenance like cleaning acrylics or replacing tubes
- \* By removing the control panel inside the V<sub>6</sub> you have access to all electronics components
- \* Easy refilling of Xsens cartridges and Qsens jerrycan

Xsens and Qsens are optional features

