



we like X 3 ...



Optional central air extraction, top



"Easy clean" click-profile bench



The body cooler at the foot end is fitted as standard and ensures a pleasant temperature while tanning

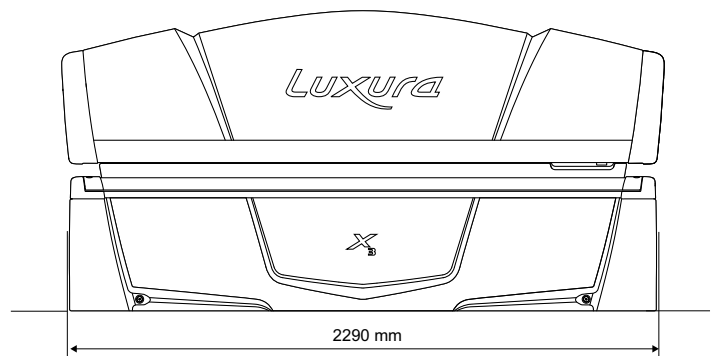


For the super cool, the Luxura X₃ can also be fitted with a separate face cooler at the head end.



we like ideas

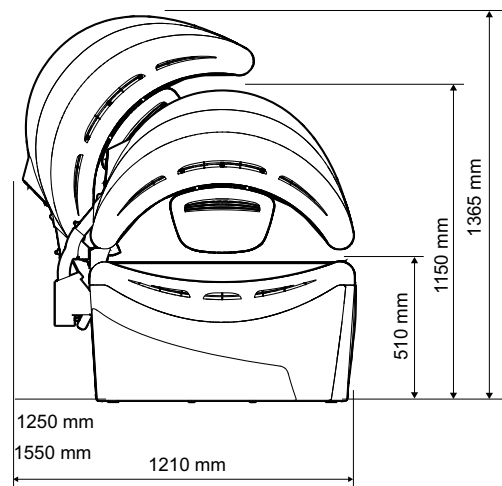
EasyClean click-profile makes maintenance as easy as can be: easy reach of tubes and facial filters – a fast way of cleaning and switching lamps.



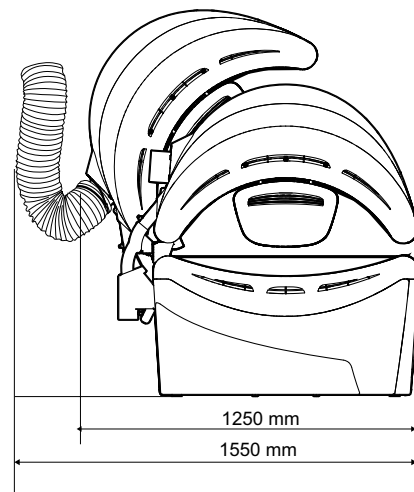
The Luxura X₃ comes with a choice of three different decorative solutions for the connecting space between canopy and bench.



Deco caps
'Deco caps' are fitted as standard.



Connecting shield
In the configuration 'Connecting shield' provides a silver screen throughout the whole length of the sunbed for an integrated, unified look.



Connecting shield plus
This version comes with a high quality decorative lighted screen. Ambient FlowLight as well as My MP3 and SoundBox are integrated.



Pearl White

Fuchsia Pink

Luxura X ₃	30 SLi	30 SPPr	32 SLi INTENSIVE	32 SLi
Tubes top	10 x 120 W XL + 6 x 100 W	16 x 120 W XL	18 x 160 W	18 x 100 W
Tubes base	14 x 120 W XL	14 x 120 W XL	14 x 120 W XL	14 x 120 W XL
Face tanner	1 x 400 W	9 x 25 W	3 x 400 W	3 x 400 W
Central air exhaust capacity (top)	700 m ³	700 m ³	1000 m ³	1000 m ³
Connection	400V/3N~/PE/50Hz or 230V/1N~/PE/50Hz	400V/3N~/PE/50Hz or 230V/1N~/PE/50Hz	400V/3N~/PE/50Hz	400V/3N~/PE/50Hz
Power	3,0 kW	2,8 kW	5,5 kW	4,5 kW
Fuses	3 x 6 A or 1 x 14 A	3 x 6 A or 1 x 13 A	3 x 16 A	3 x 16A
Weight	198 kg	201 kg	225 kg	217 kg

Technical modifications reserved.



features

standard

- SPS (not for 30 SPPr)
- Face tanners (on/off)
- XL Light
- Eco power bench¹
- 3 steps adjustable body cooler
- "Easy clean" click-profile bench
- Deco caps
- Digital timer
- Programmable internal timer
- Connection for external timer
- Hour counter

optional

- Connecting shield
- Connecting shield plus with Ambient FlowLight, Soundbox and My MP3
- Central air exhaust top
- Cover for closure backside
- Face cooler

¹The electronic ballasts - integrated as standard - ensure energy savings of at least 25%.